



Moso Canopy 4G Outdoor Model: SC04255P (with PoE Injector)

Installation Guide



Table of Contents

INTRODUCTION	2
GENERAL INSTALLATION OVERVIEW.....	2
GETTING STARTED.....	2
PACKAGE CONTENTS.....	2
BRACKET (POLE MOUNT)	3
GROUNDING CABLE AND FIXING BRACKET.....	5
I/O INTERFACES.....	5
DIMENSIONS	6
INITIAL INSTALLATION.....	7
STEP 1: ASSEMBLE THE POLE MOUNT BRACKET	9
STEP 2: MOUNT THE BRACKET ON THE J-POLE OR OTHER MOUNTING POLE	10
STEP 3: MOUNT THE DEVICE ON THE BRACKET INSTALLED IN STEP 2.....	11
STEP 4: INSTALL THE RJ45 CABLE, PoE++ IN (45W / 1 GBPS)	12
STEP 5: INSTALL THE GROUNDING CABLE.....	12
STEP 6: FUNCTIONAL TEST.....	14
SAFETY INFORMATION.....	15

Introduction

Moso Canopy 4G Outdoor (model SCO4255P) is an outdoor radio designed to improve coverage and capacity, enabling you to build a secure and resilient private network.

General Installation Overview

1. Survey the installation site and develop an installation plan.
2. Identify the following three critical areas:
 - Location where the radio will be installed
 - Location where internet is available
 - Location where power is available
3. Map out cable routing for internet/ethernet and power cables.
4. Select optional components if desired.
5. Pre-install test (optional)
 - Conduct a pre-install test with all components to be installed to verify desired operation.
6. Install radio (as outlined in the guide).
7. Test complete solution and validate it is working.

Getting Started

Unpack and check the delivery carefully before the installation to make sure that all the required items are available and undamaged.

Steps:

1. Carefully check the contents of the delivery.
2. Remove the items from the package.
3. Check that the delivery is complete and undamaged.
4. Recycle the packaging material.
5. Proceed to the module installation procedure

Package Contents

Package will mainly include following items:

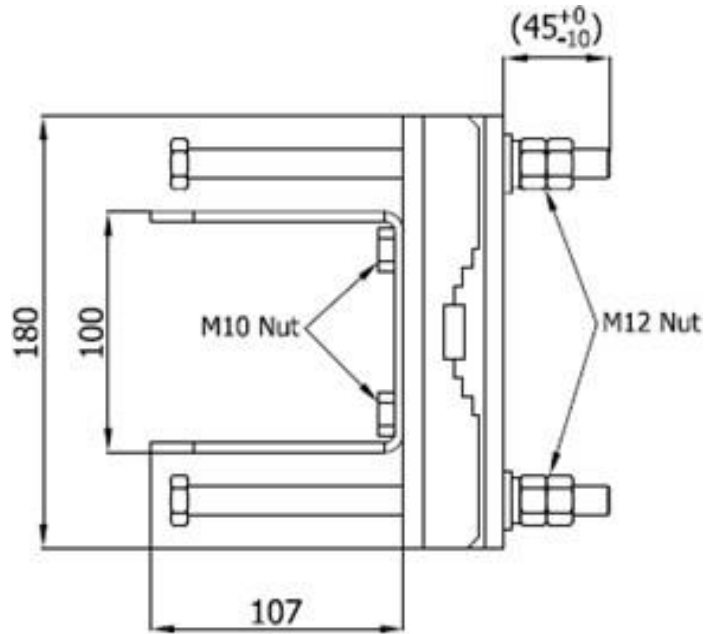
- 1 x SCO4255P Device
- 1 x PoE++ Injector/ Power Cord (1.5M)
- 1 x Bracket/Pole Mount with Mounting Nuts (3)/Spring Washers (3)
- 1 x Grounding Cable with Screws (2)/Washers (2)
- 1 x Fixing Bracket and Screws (4)
- 1 x Ethernet Weatherproof Connector

If any of the above items are damaged or missing, please contact your dealer immediately.

Optional Accessories:

- 1 x Power Adapter
- 1 x Power Bracket with Mounting Plate Screws (4)

Bracket (Pole Mount)



NOTE : 1.INSTALLATION DIAMETER 50~120MM
2.Tightening Nut Hex Torque Values:
M10 :32~40 N.m
M12 :57~75 N.m

Pole Diameter: 50~120mm



M12 Screw Pack:

1 – M12X130mm bolt

3 – M12 nut

3 – M12 flat washer

3 – M12 spring washer

Grounding Cable and Fixing Bracket



M8 Screw Pack:
5 – M8X16mmHexagon socket screw
5 – M8 flat washer
5 – M8 spring washer

I/O Interfaces



LAN

PoE++ (WAN)

DC Power

Dimensions



Initial Installation

The installer will need the following tools:

1. M8 Hexagonal screwdriver (L-shaped hexagon): used for Fixing bracket
2. 19mm wrench: used for device Bracket M12 nuts (pole mount)
3. Phillips screwdriver: used for Grounding cable screws and M4/M5 screws

Pole Mount with PoE Injector (diagram)



- PoE Injector is placed indoors and PSU by power cord.
- Device is placed outdoors and connected to the device WAN/PoE port and PoE injector PoE port through Ethernet cable.
- Backhaul from PoE injector LAN port through Ethernet cable. (NOTE: the total Ethernet cable length should not exceed 100m)

Optional Accessories Installation

If you have the optional Power Adapter and Power Bracket, instructions are below. If you DO NOT have the optional accessories, skip to section titled “Step 1: Assemble the Pole Mount Bracket.”

Power and Power Bracket

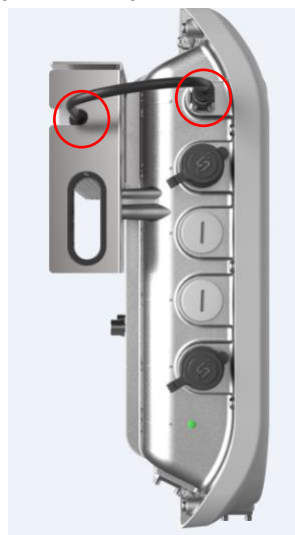


Step 1: 4 screws are attached to the lock, fix the bracket on the bottom shell.



Step 2: Place the power adapter on the bracket.

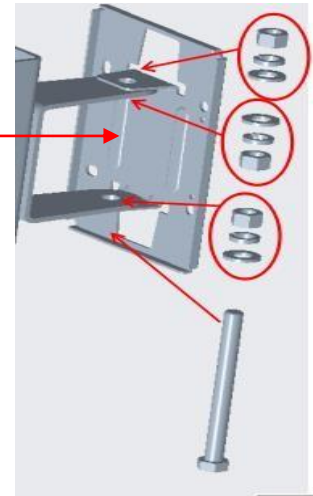
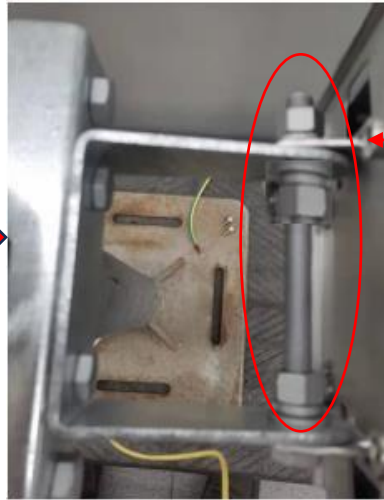
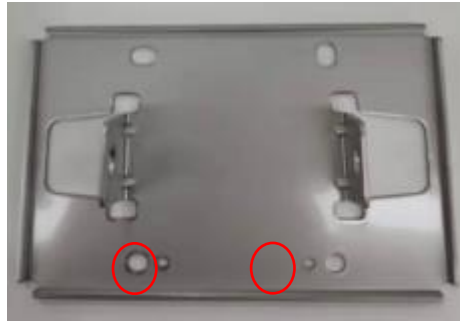
NOTE: The connector for the Power adapter corresponds with the power port.



Step 1: Assemble the Pole Mount Bracket

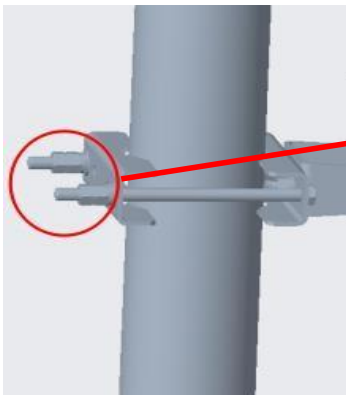


The positioning hole
faces down



Note the sequence of screw and
washer

Step 2: Mount the Bracket on the J-Pole or Other Mounting Pole



Note the sequence of screw and washer

Step 3: Mount the Device on the Bracket Installed in Step 2

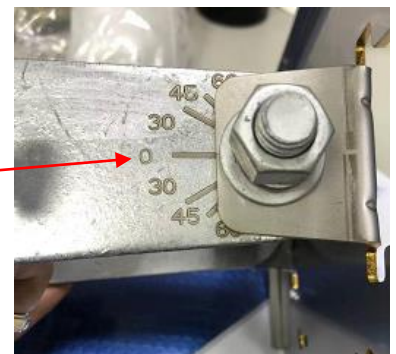
Align the positioning pole

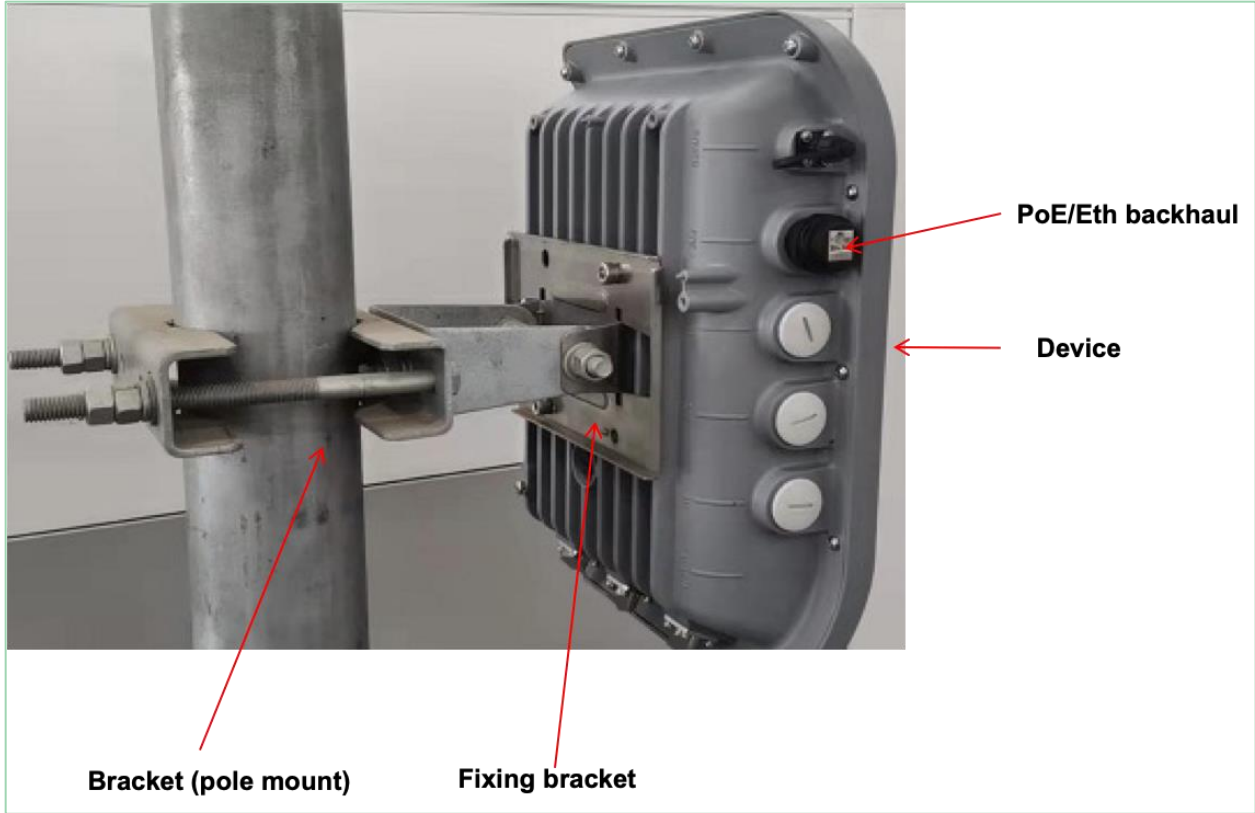


Lock with M8 screws

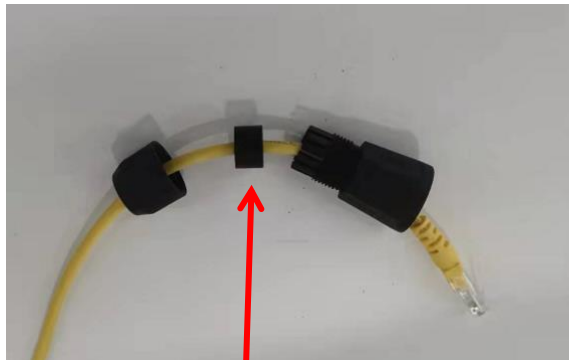


Adjust the tilt head required by the device





Step 4: Install the RJ45 Cable, PoE++ in (45W / 1 Gbps)



Assemble waterproof cover

Assemble WAN/PoE ports



Step 5: Install the Grounding Cable

The grounding cable can be connected to any grounding terminal



Step 6: Install the PoE Injector

Install the PoE injector.

1. Connect the device WAN/PoE port to PoE injector POE port through Ethernet cable.
2. Connect the PoE injector power port to the power socket through power cord.

Safety Information

- **NOTICE:** Electrostatic discharge (ESD) may damage the modules. Wear an ESD wrist strap or use a corresponding method when handling the modules.
- **NOTICE:** Installing and commissioning of BTS products must be performed by an expert familiar with electronic devices, to avoid damage caused by improper handling.
- **WARNING!** Risk of electric shock.

The wire gauge for the required protective earth conductor is 18AWG (green and yellow). Ensure to connect one end to the protective earth terminal and the other to earth.

Disconnect power from the unit when performing a maintenance task.

When powered by a power adapter, the adapter should be properly grounded.